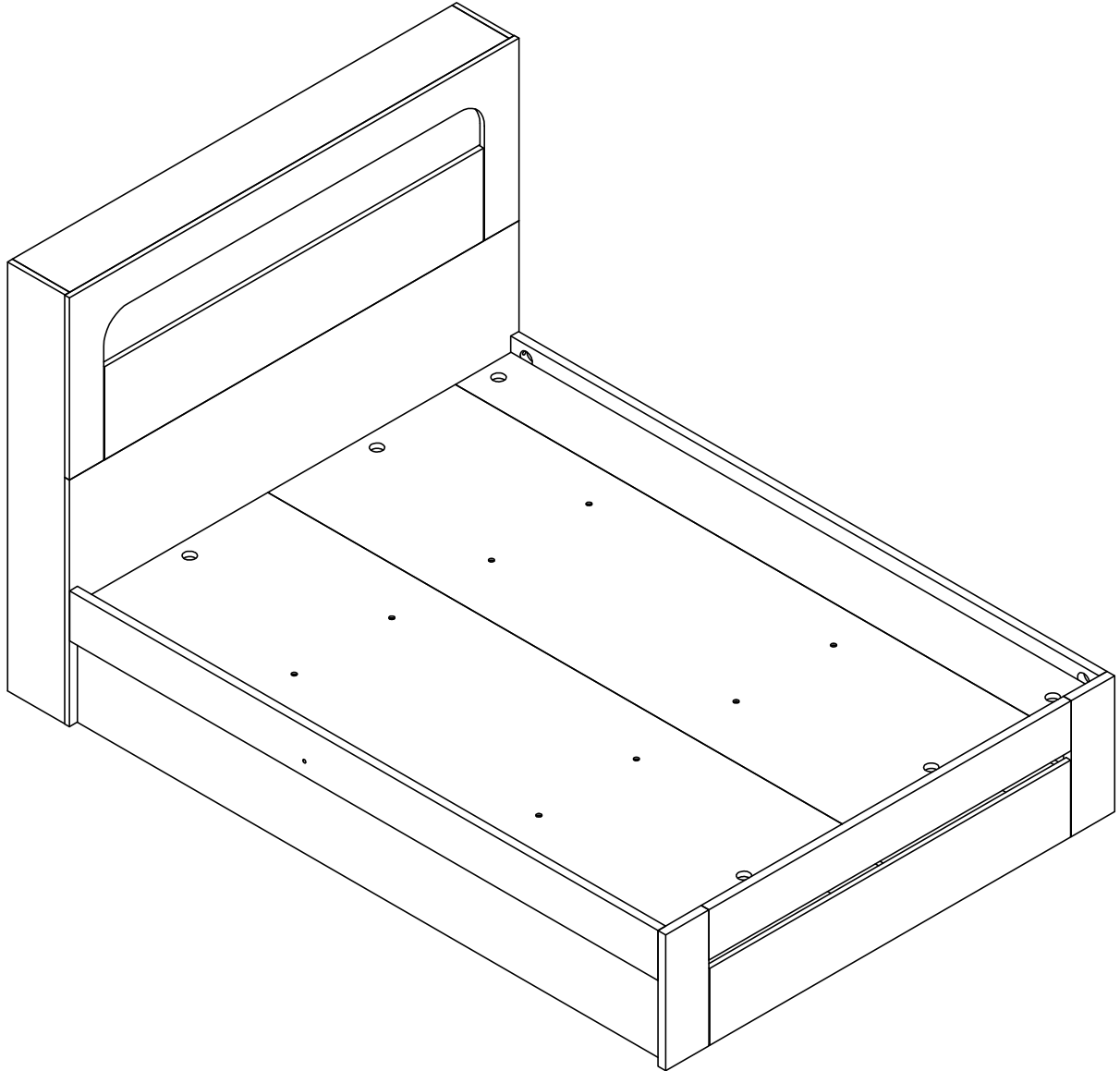
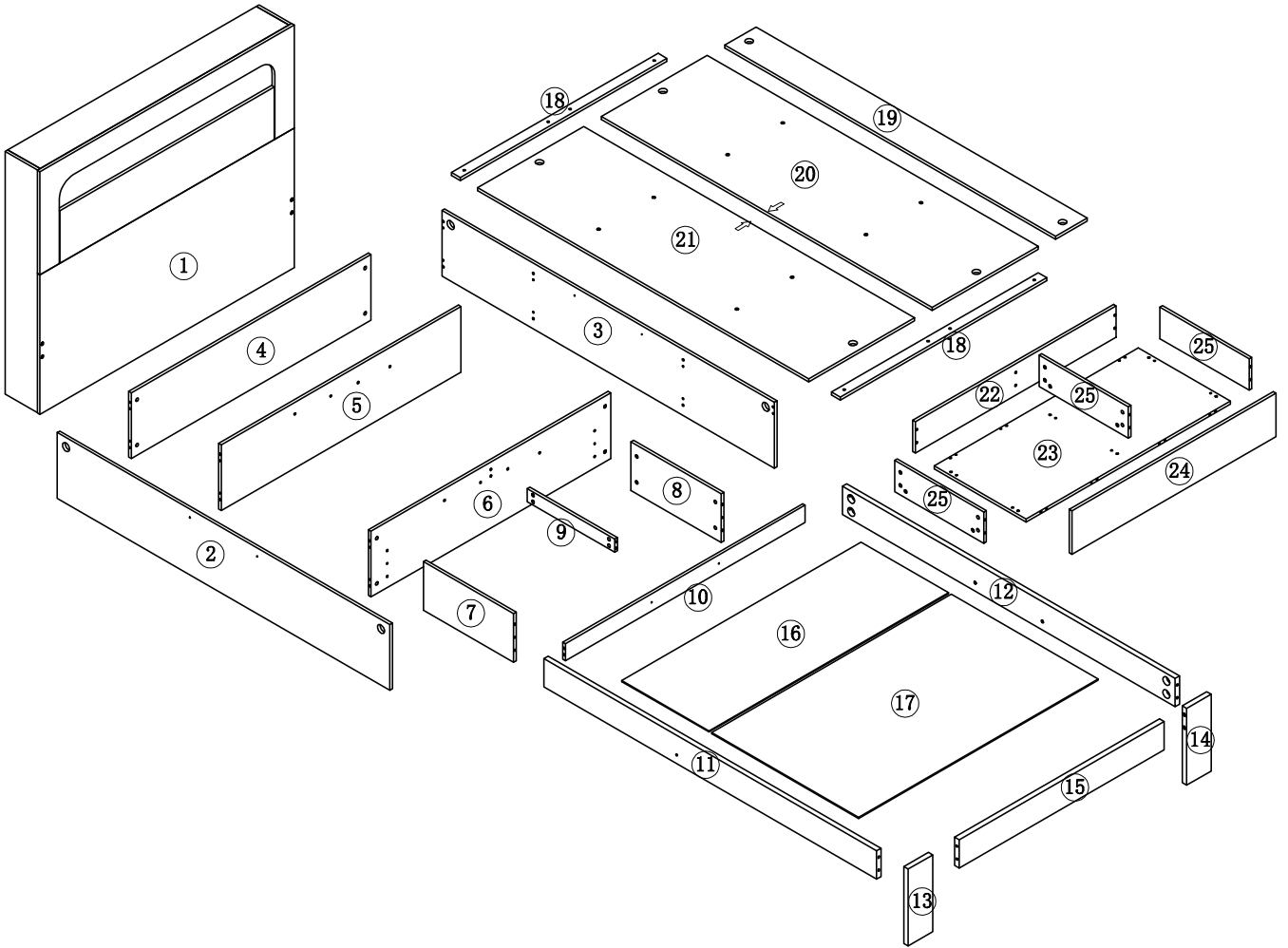

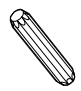
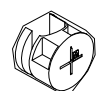


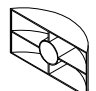
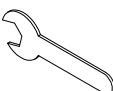
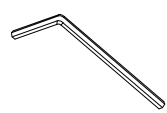
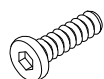
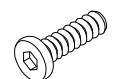
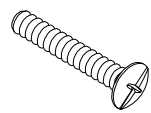


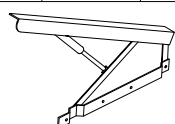


PRODUCT SPECIFICATION

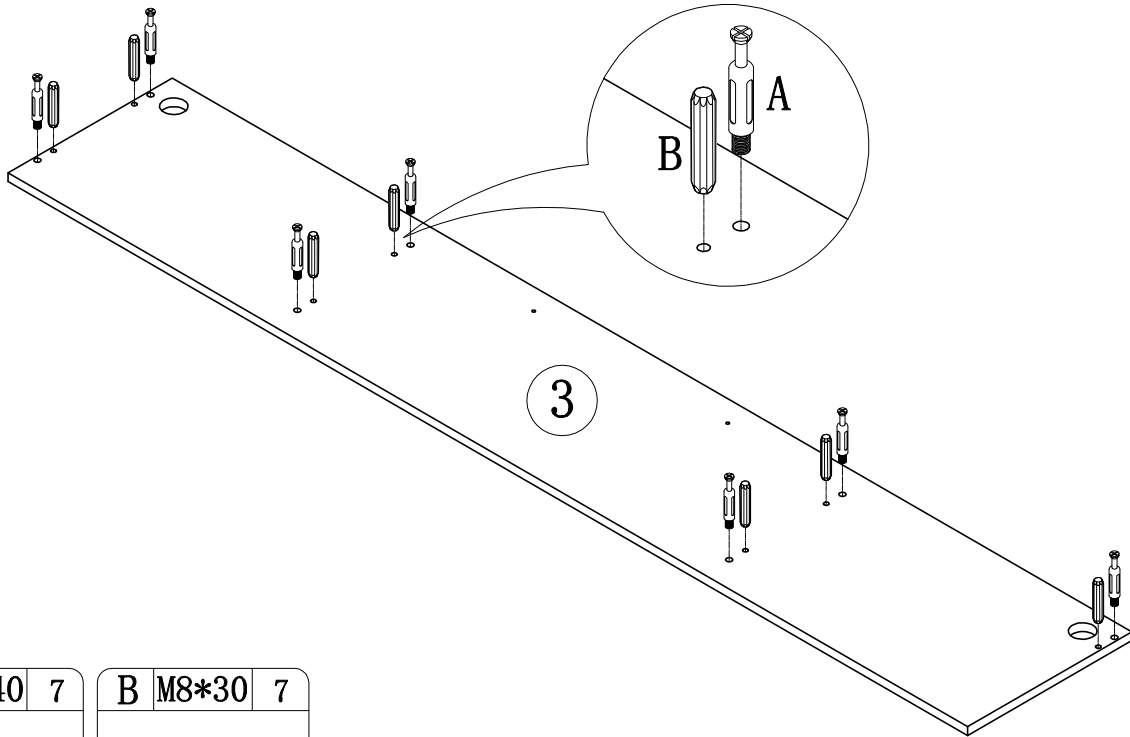


Latina Double Size



A	∅8*40	54	B	M8*30	32	C	∅15	54	D	M8*70	12	E	M8	28	F	∅38	12
																	
G	M8	1	H	M4	1	I	M8*25	6	J	M8*20	8	K	M8*30	16	L	M3.5*14	16
																	
M	h=55	4	N	1.1M	1												
																	

Step 1



A $\phi 8*40$ 7

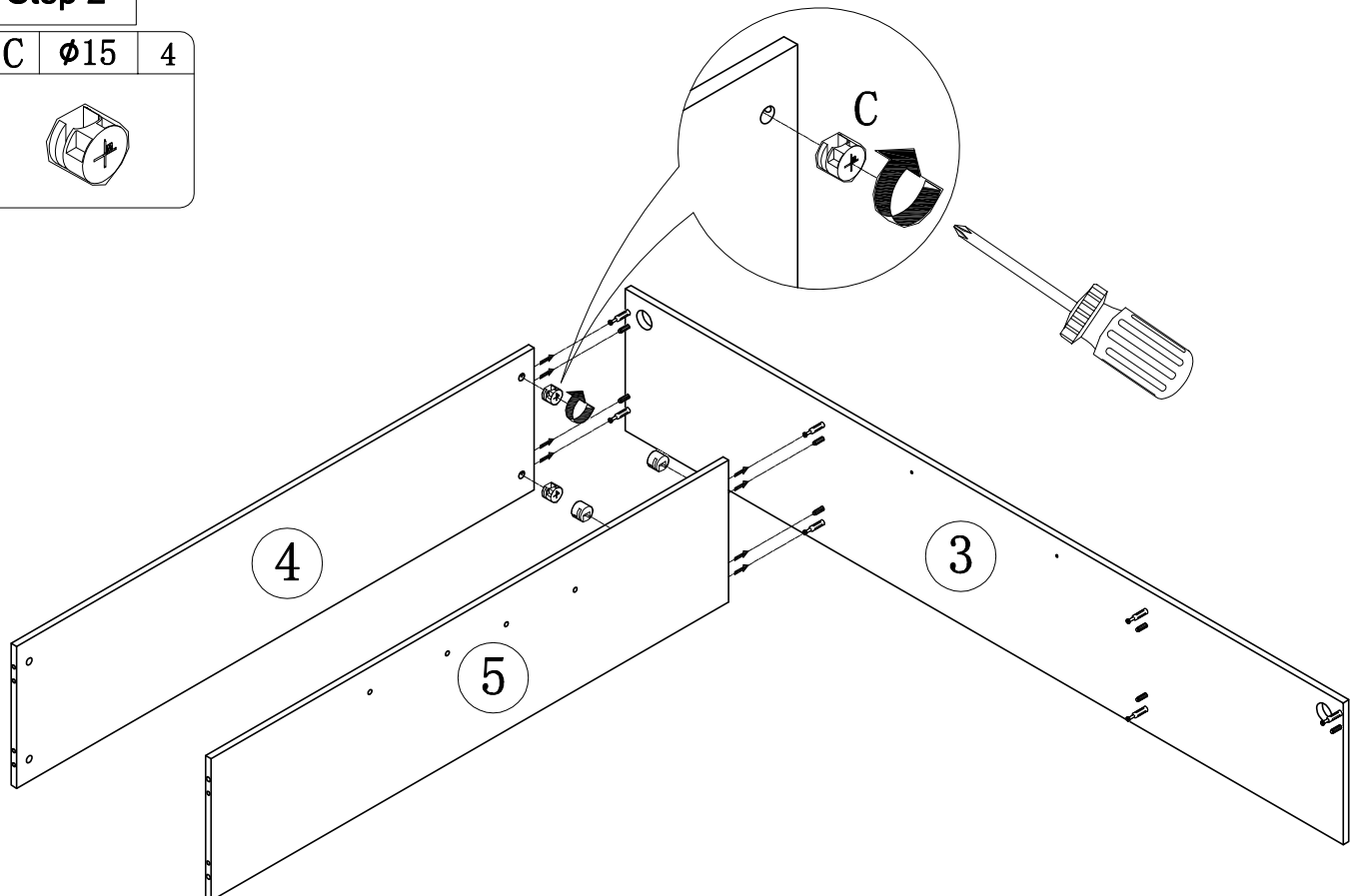


B M8*30 7

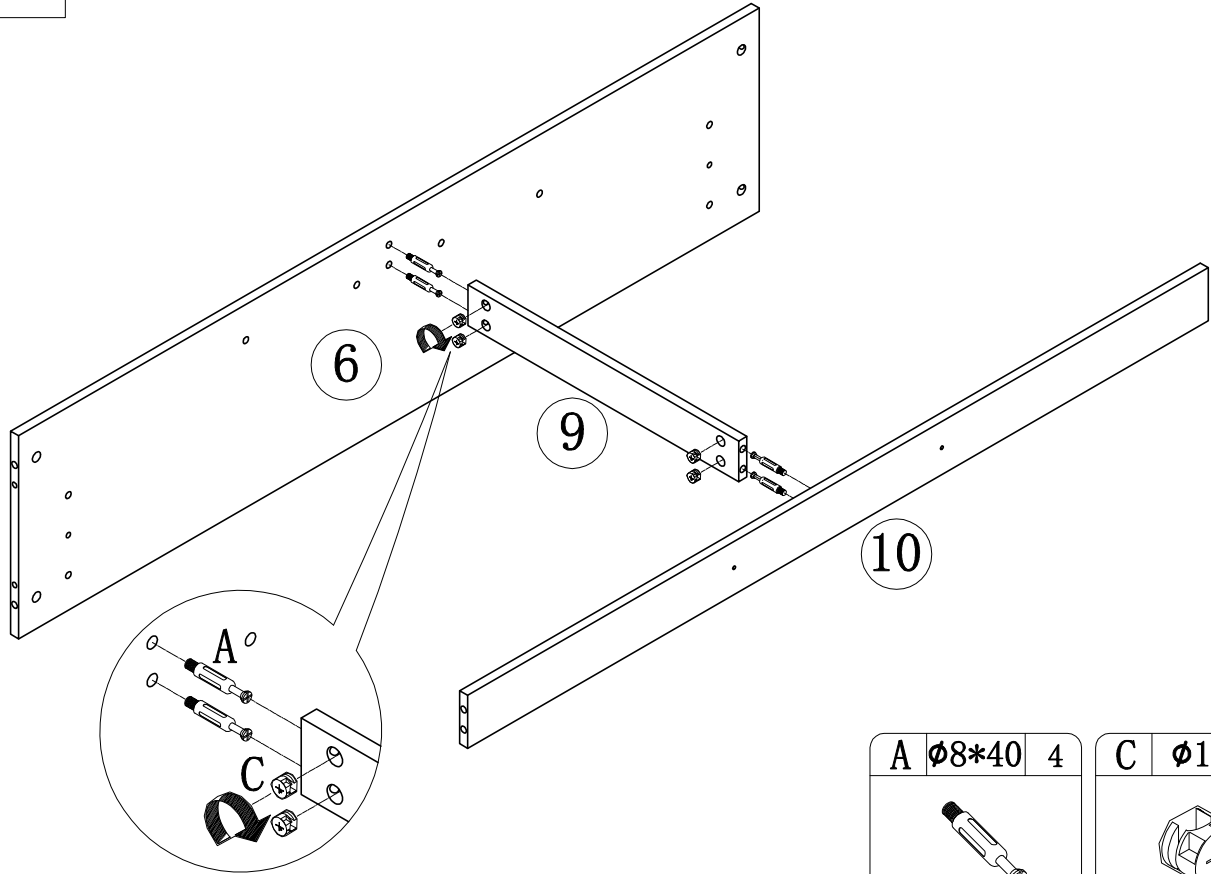



Step 2


C $\phi 15$ 4



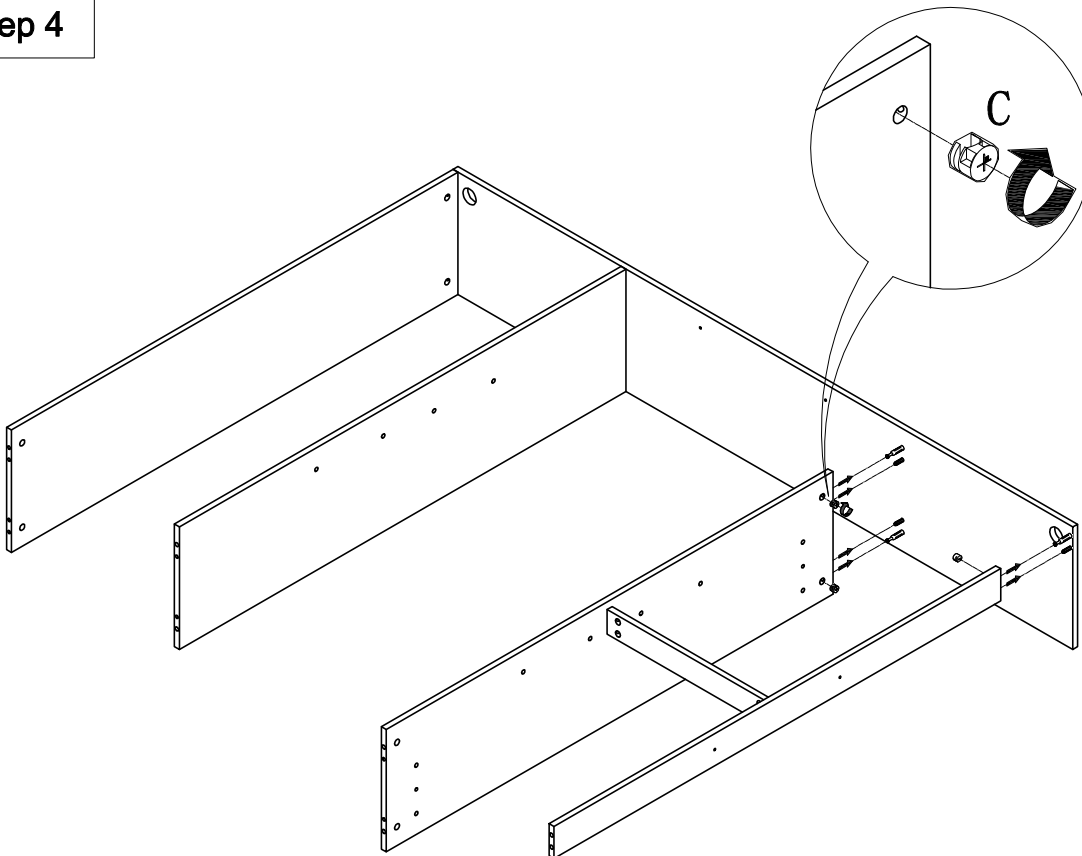
Step 3




A	Ø8*40	4
		

C	Ø15	4
		

Step 4

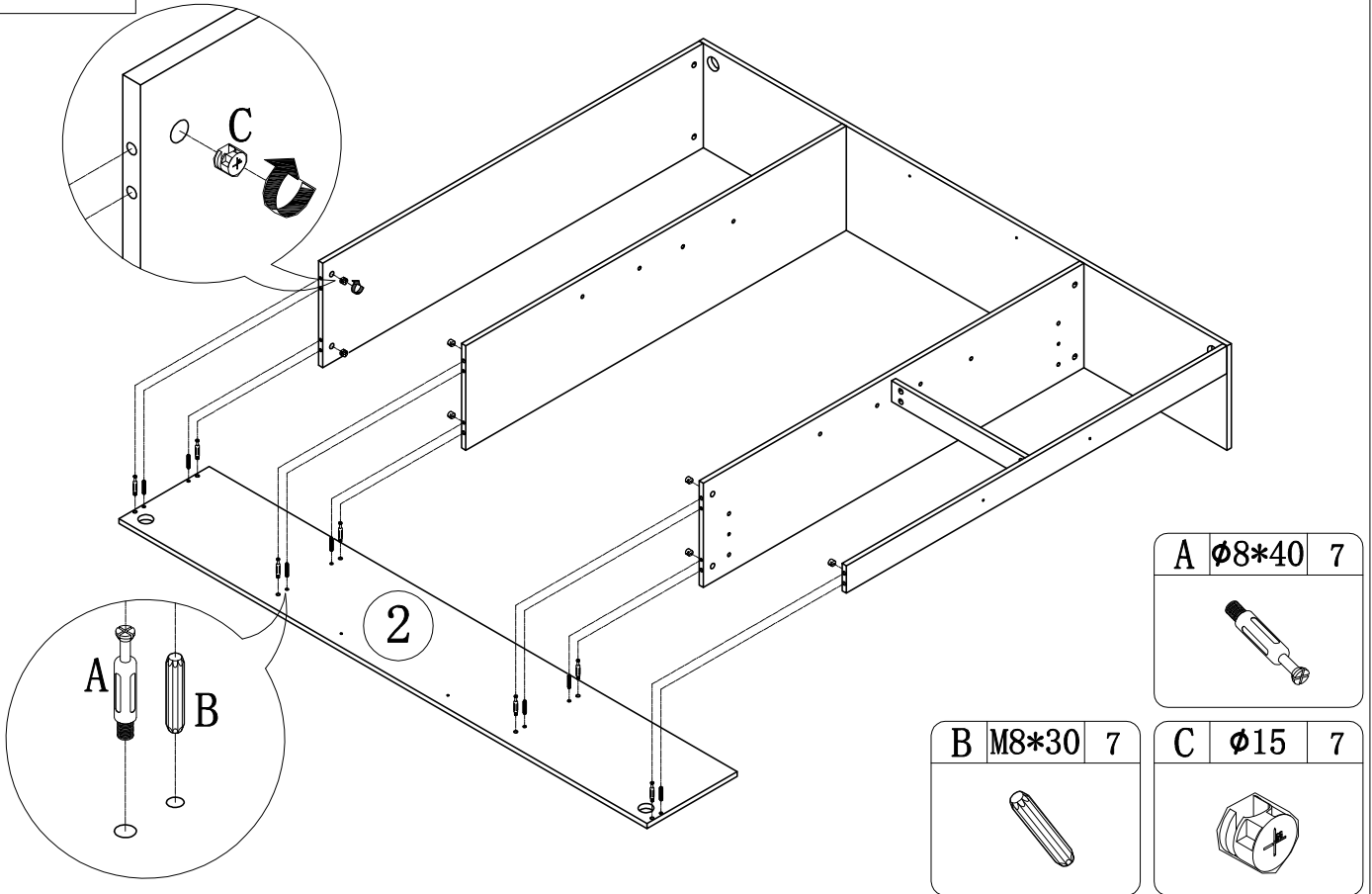


C	Ø15	3
		

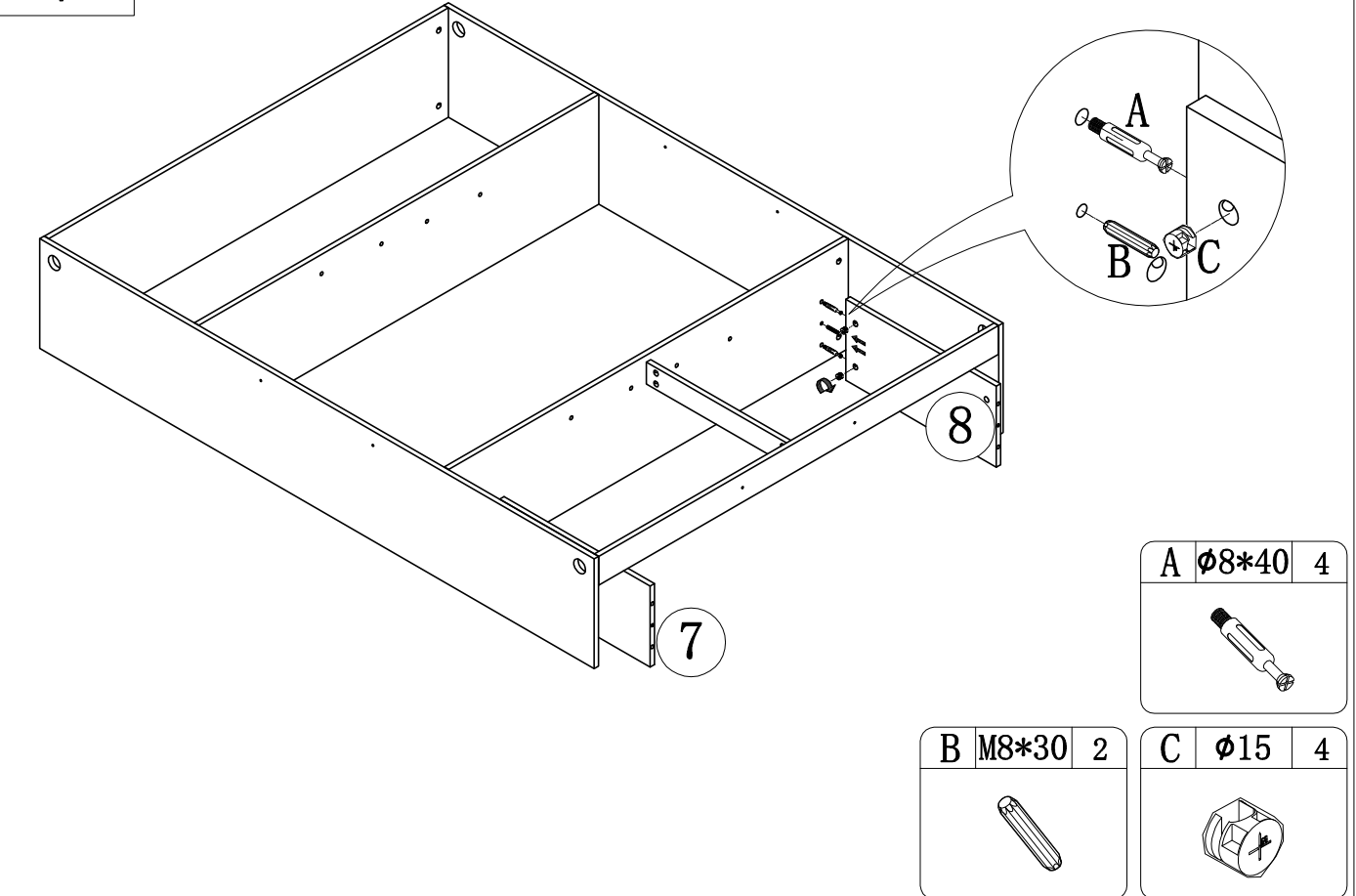
PRODUCT SPECIFICATION

Latina Double Size

Step 5



Step 6



PRODUCT SPECIFICATION

Latina Double Size

Step 7

11

12

H

I

H	M4	1
I	M8*25	4

Step 8

13

14

15

A

B

D

F

E

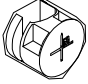

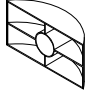
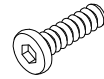
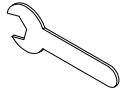
G

A	∅8*40	4
B	M8*30	2
F	∅38	4
D	M8*70	8
G	M8	1
E	M8	4



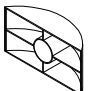
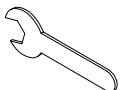
PRODUCT SPECIFICATION

Latina Double Size

Step 9

C	∅15	4
		
E	M8	4
		
F	∅38	4
		
I	M8*25	2
		
G	M8	1
		

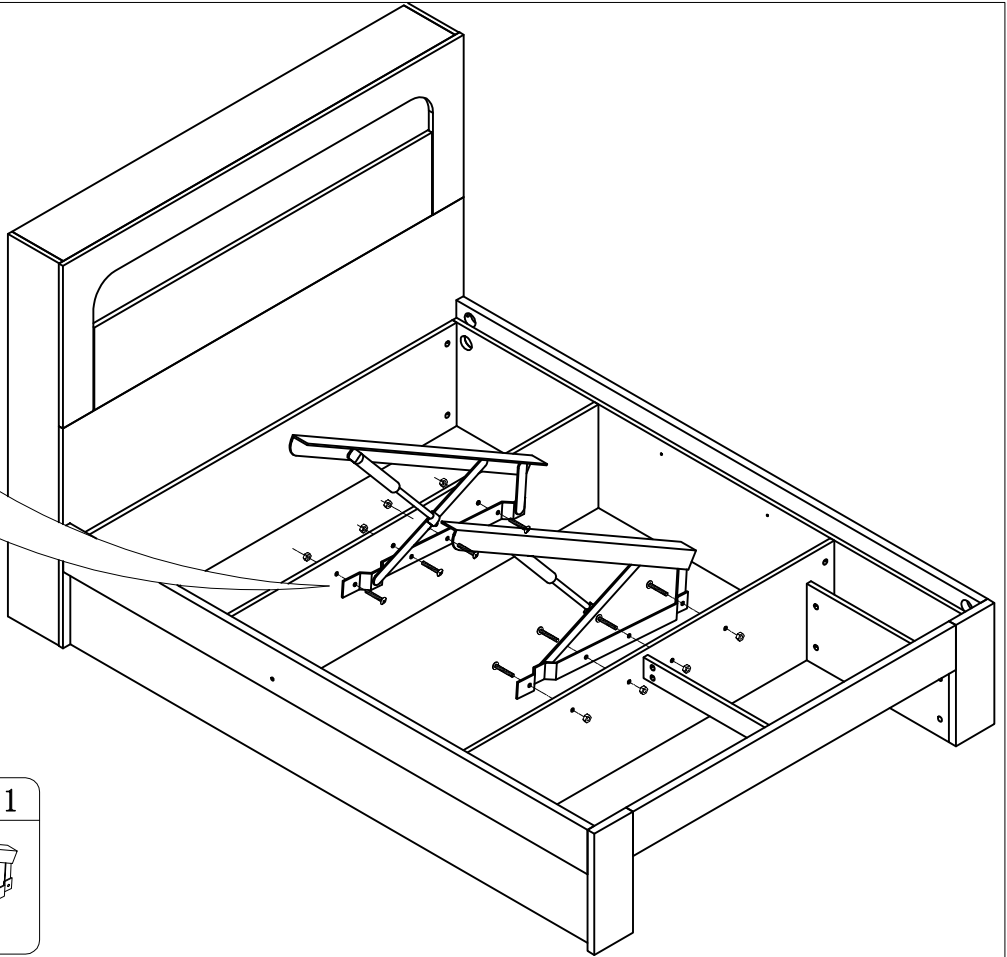
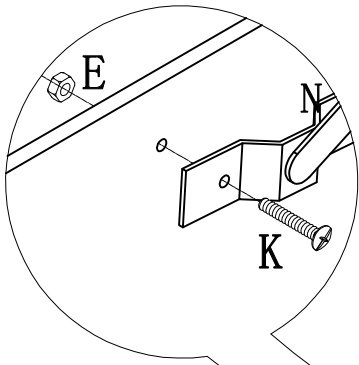
Step 10


D	M8*70	8
		
E	M8	4
		
F	∅38	4
		
G	M8	1
		

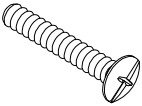
PRODUCT SPECIFICATION

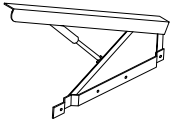
Latina Double Size

Step 11

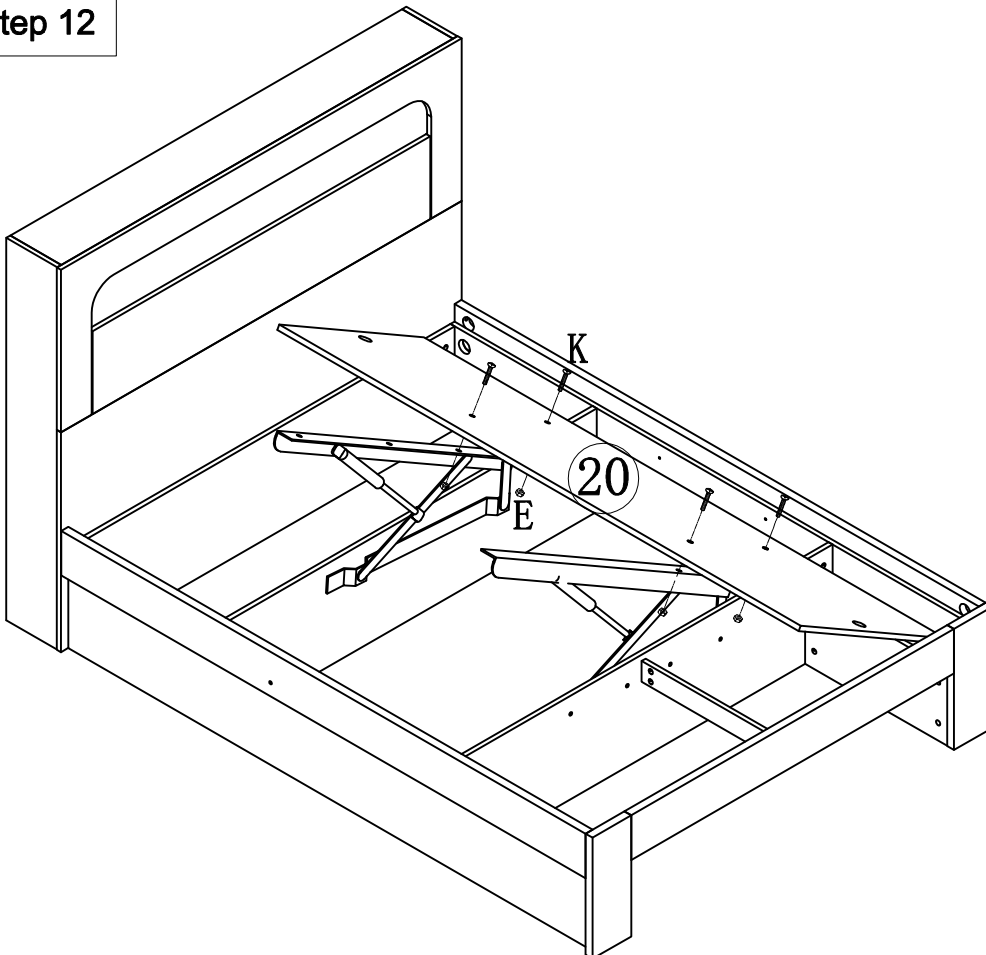



E	M8	8
		

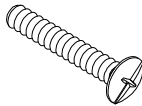
K	M8*30	8
		

N	1.1M	1
		

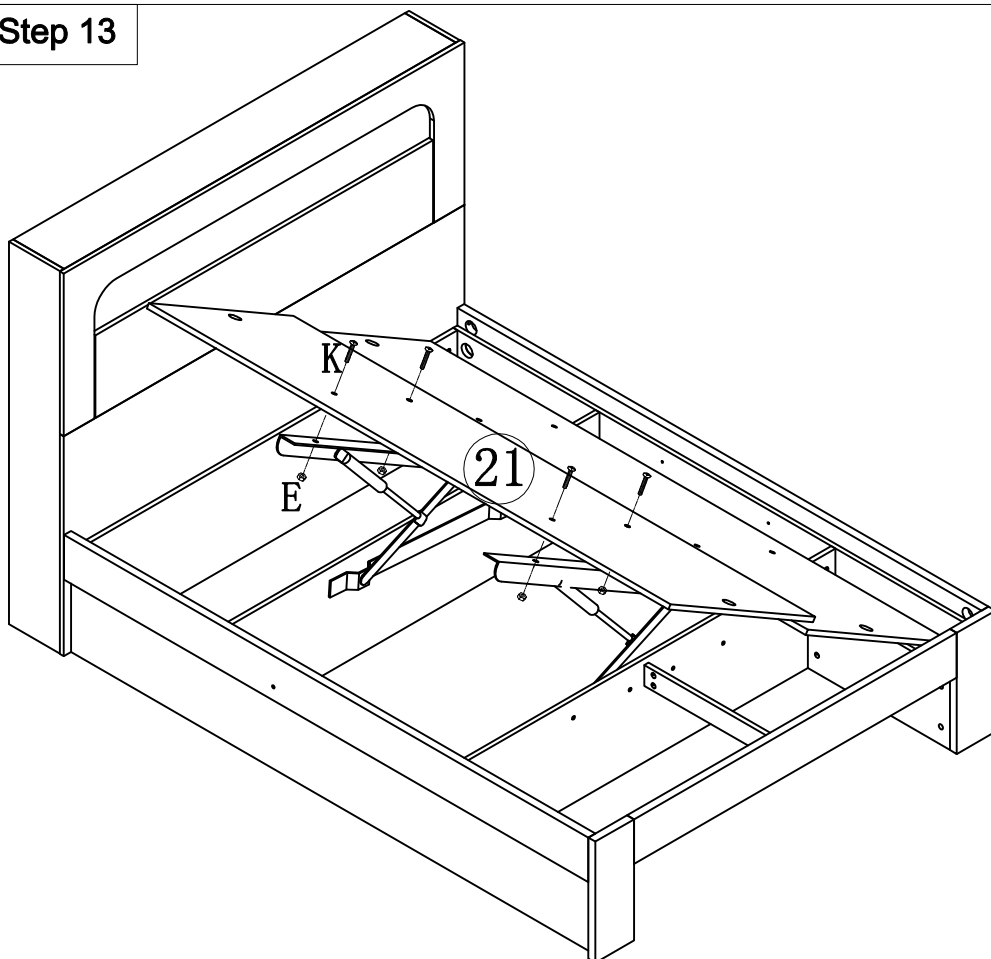
Step 12


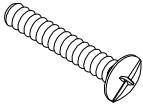


E	M8	4
		

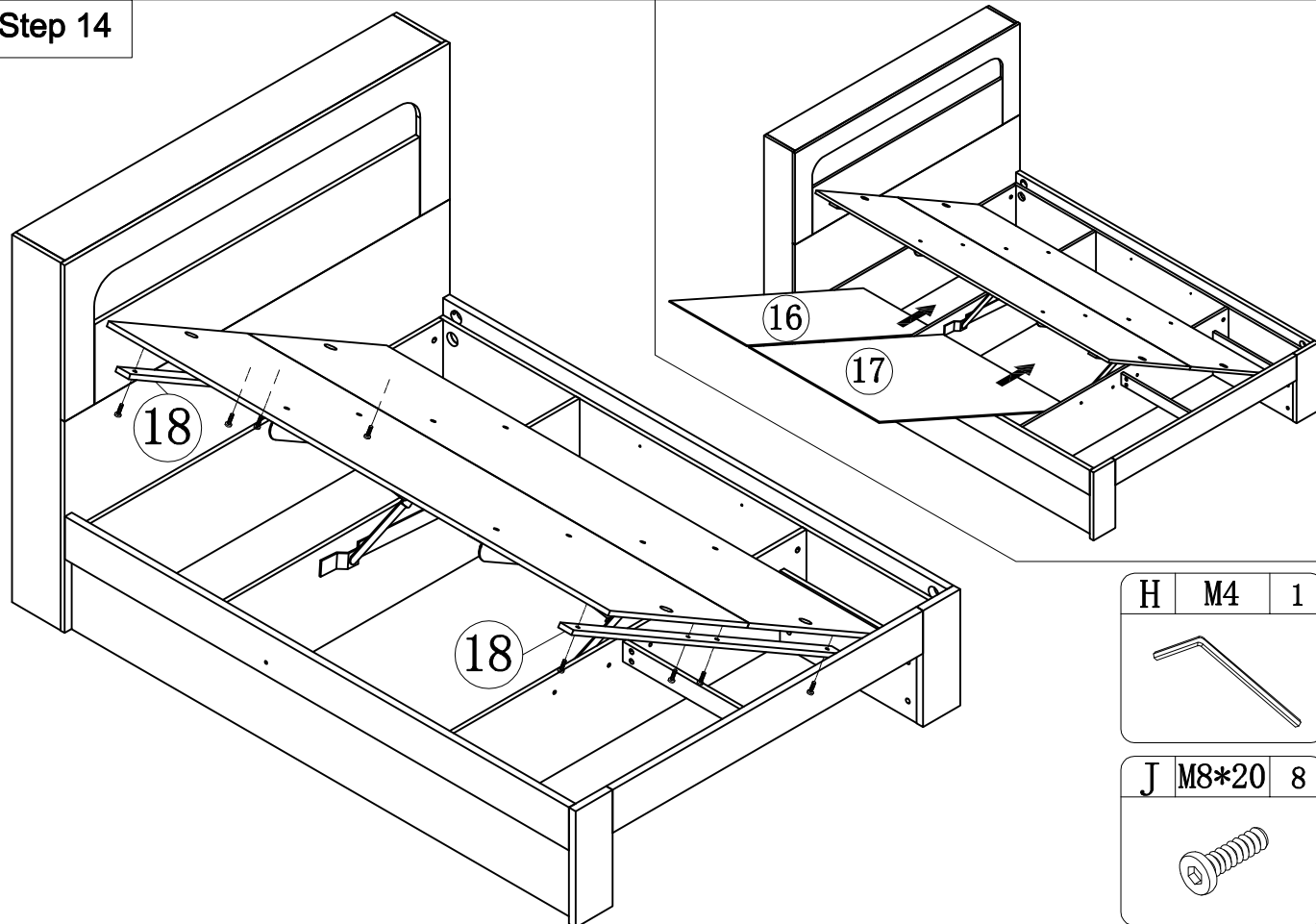
K	M8*30	4
		


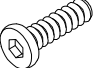
Step 13



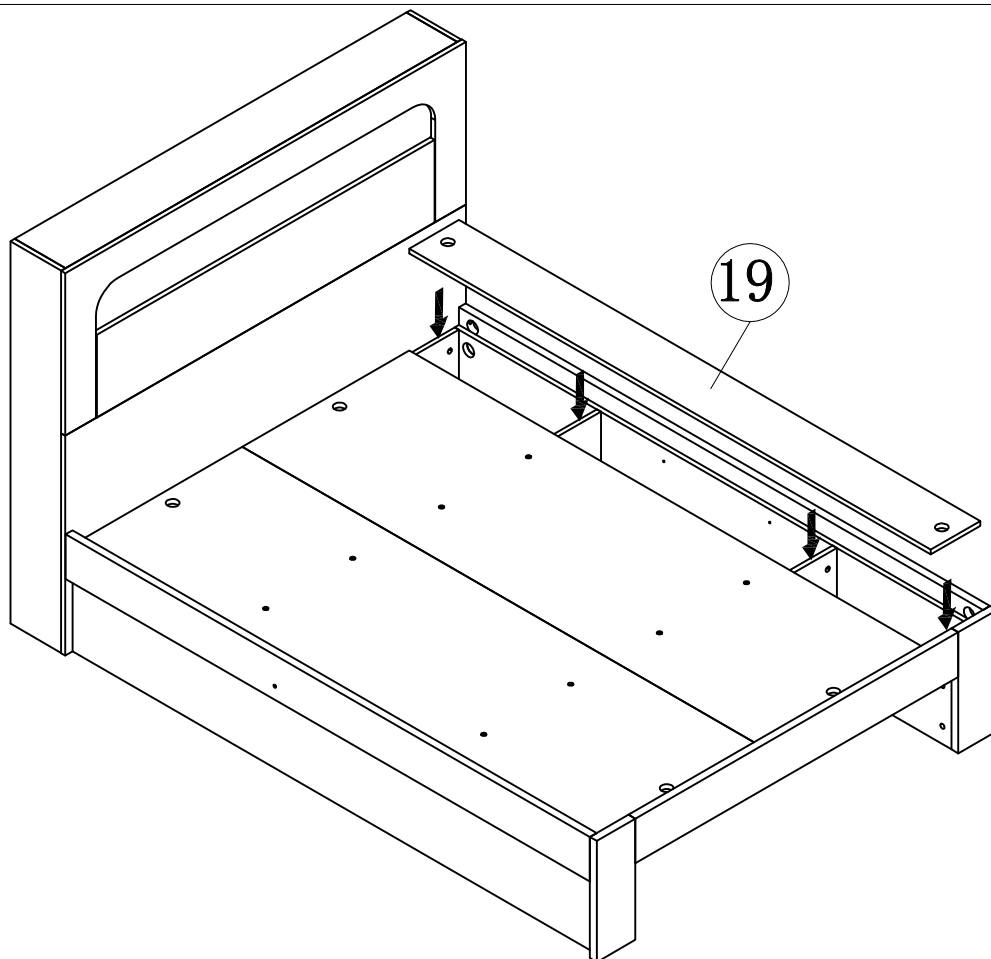
E	M8	4
		
K	M8*30	4
		

Step 14

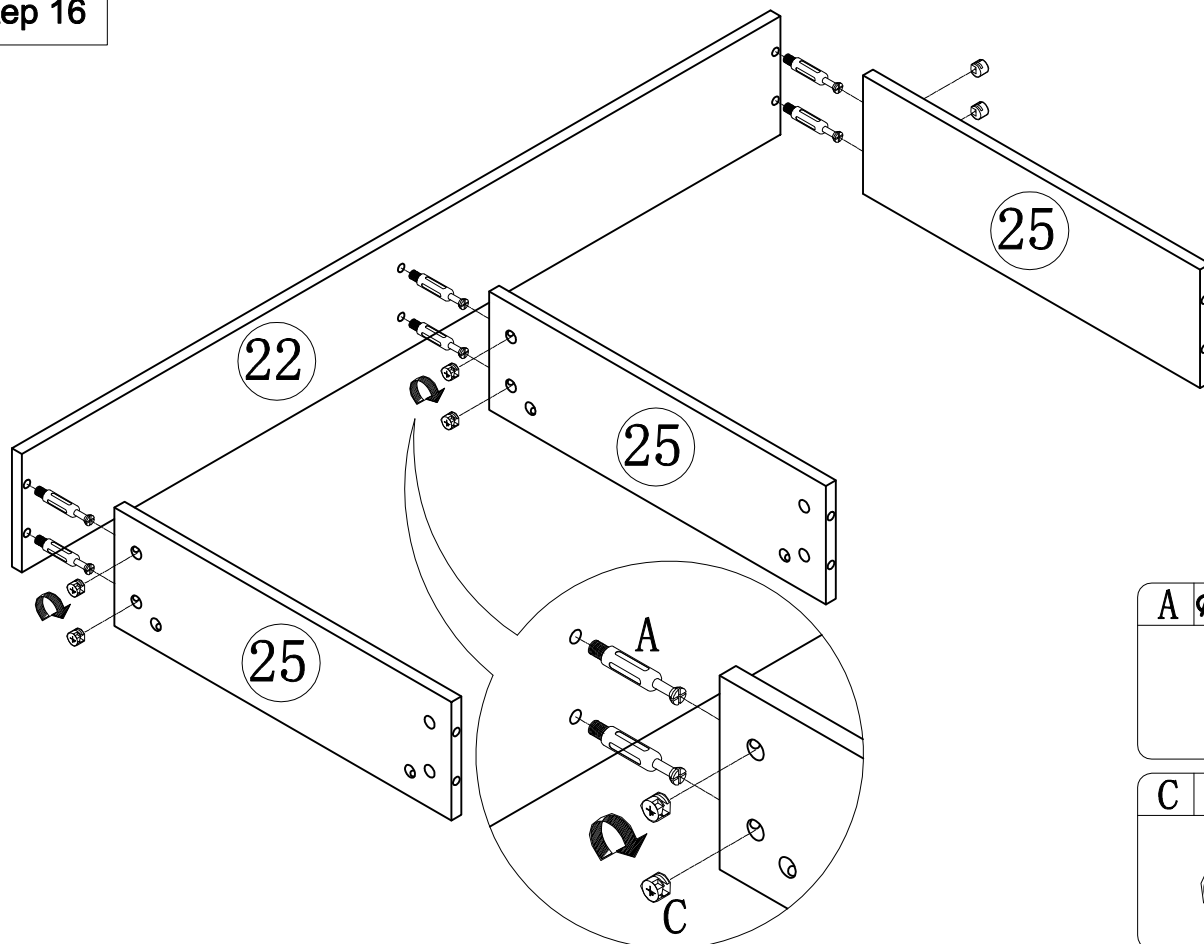




H	M4	1
		
J	M8*20	8
		

Step 15

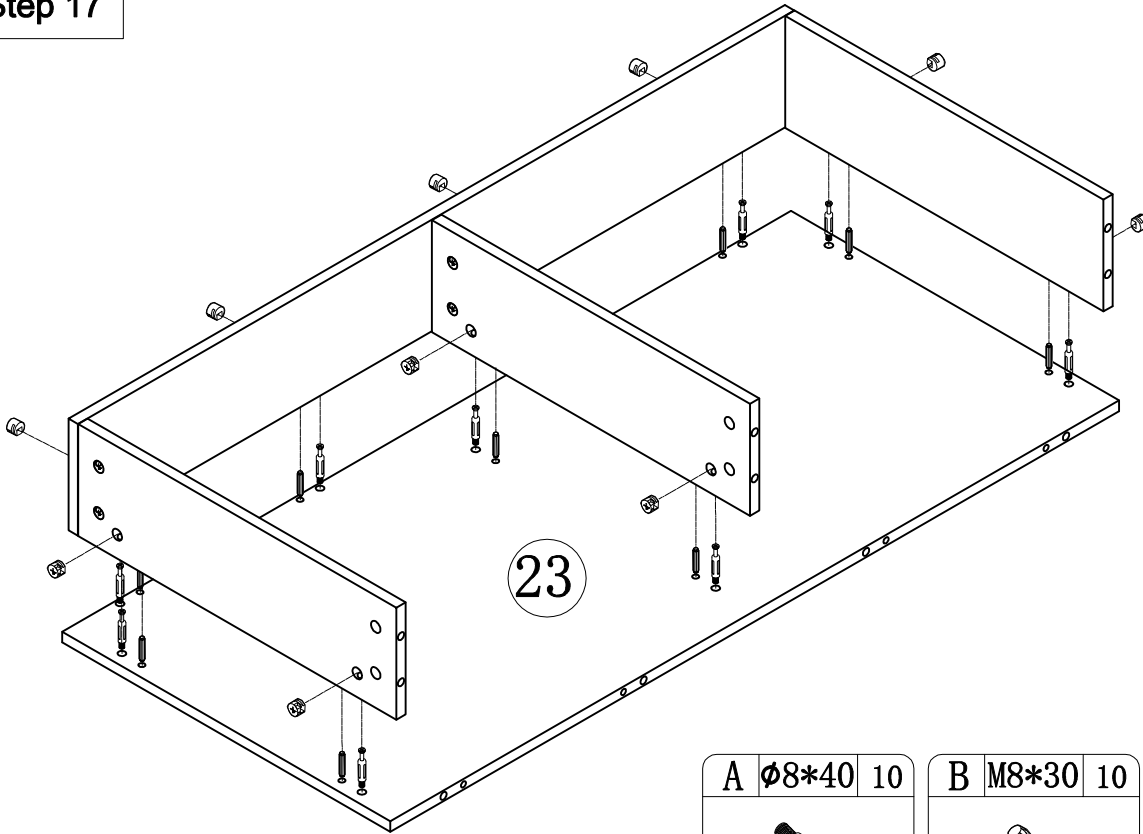


Step 16



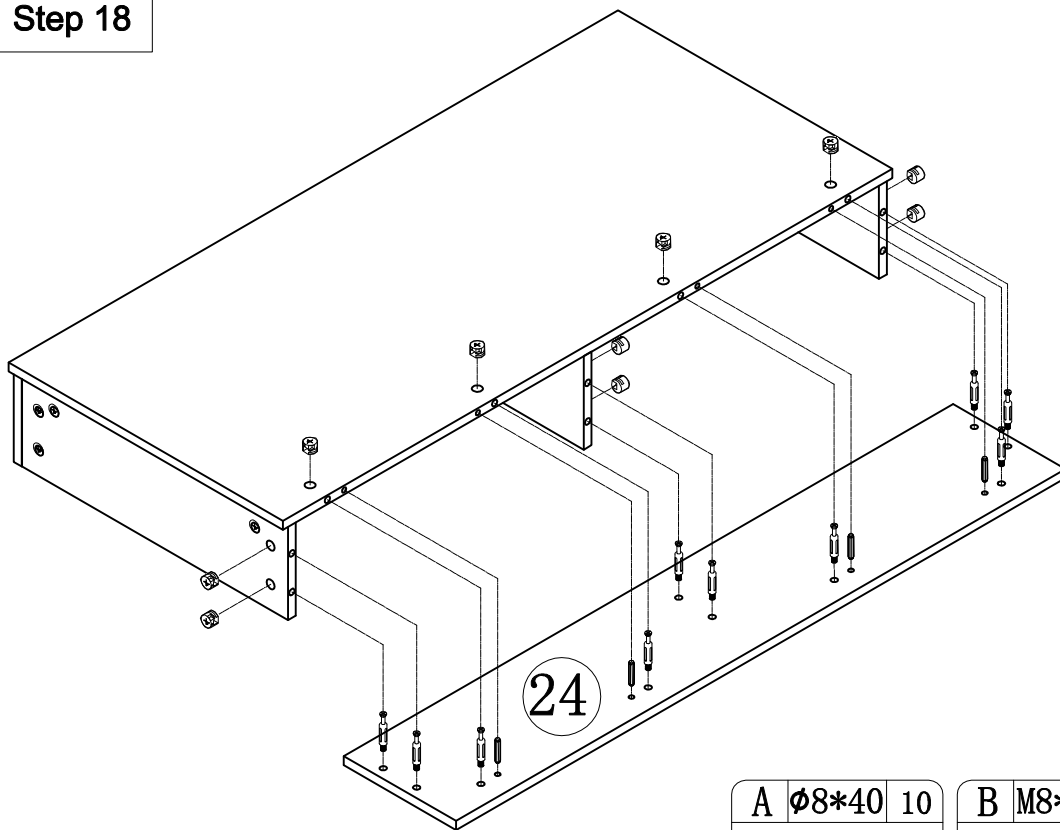
A	φ8*40	6
		
C	φ15	6
		

Step 17



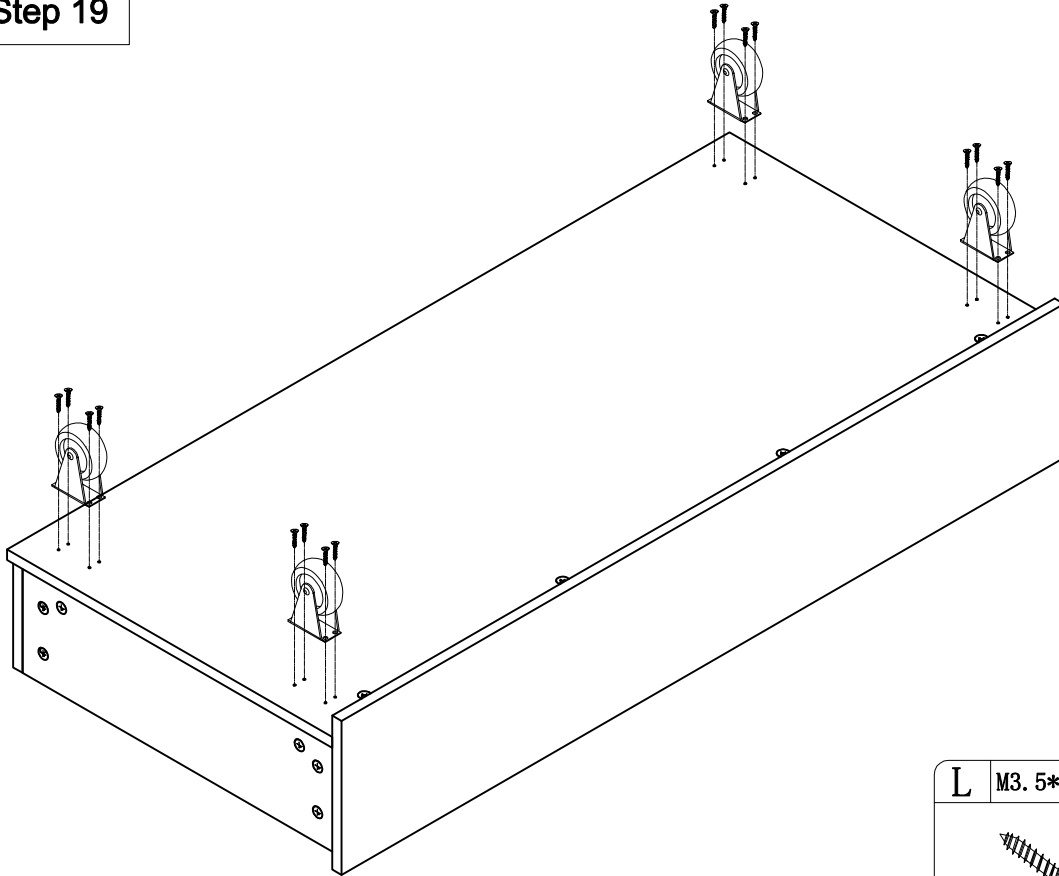
A	$\phi 8 \times 40$	10	B	M8*30	10	C	$\phi 15$	10


Step 18




A	$\phi 8 \times 40$	10	B	M8*30	4	C	$\phi 15$	10

Step 19



L	M3.5*14	16
		

M	h=55	4
		

Step 20

